



AQUASURGE® ADJUSTABLE FLOW POND PUMP

**AquaSurge® 2000-4000
Adjustable Flow Pond Pump**
Item #45009

**AquaSurge® 4000-8000
Adjustable Flow Pond Pump**
Item# 45010



aquascapeinc.com



Thank you for choosing the AquaSurge® Adjustable Flow Pond Pump. At AquaScape our goal is to supply our customers with the best valued products in water gardening. We hope you enjoy your purchase. Thank you for choosing AquaScape. *Your Paradise. Our Passion.®*



AquaSurge® Adjustable Flow Pond Pump

AquaScape AquaSurge® Adjustable Flow Pond Pumps are ideal for use in ponds, Pondless® Waterfalls, and other water feature applications, allowing you to easily adjust the flow of water. The included wireless, hand-held remote and receiver allows the user to customize the look and sound of their water feature at any time, turning the water flow up and down as well as on or off. With a maximum flow rate up to 3,947 gallons per hour, the pump is made for continuous use in either vertical or horizontal orientation. Asynchronous motor technology makes this pump extremely energy-efficient, saving you hundreds of dollars over traditional water pumps and the oil-free design prevents pond contamination. A variety of fittings is included for simple installation, including a rotational ball output which allows the discharge position to be easily adjusted. The AquaSurge® Adjustable Flow Pond Pump will not corrode or rust and its rubber feet will prevent noise and vibration while in use, making this the pump of choice for discriminating homeowners and pond professionals alike.

TABLE OF CONTENTS

Introduction	2
Contents	3
Specifications Chart	3
Safety Information	4
Instructions	4
General Maintenance	6
Troubleshooting	8
Replacement Parts	9
Warranty Information	10

Contact Us

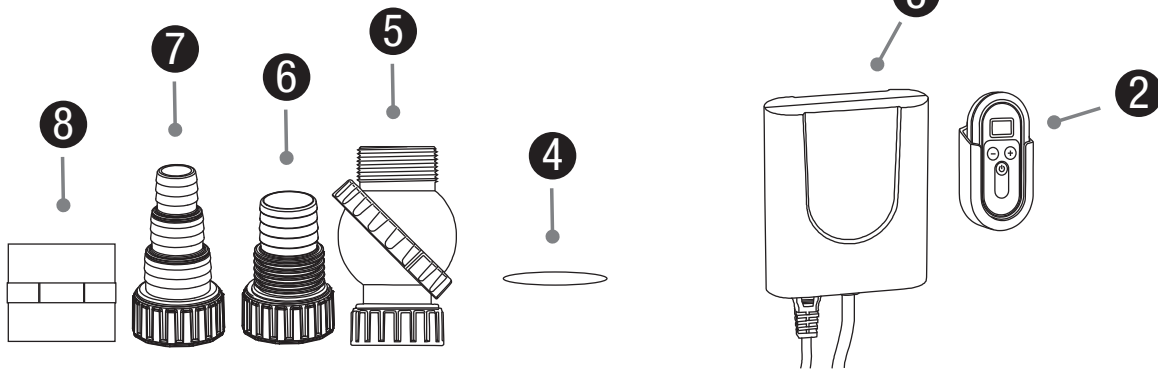
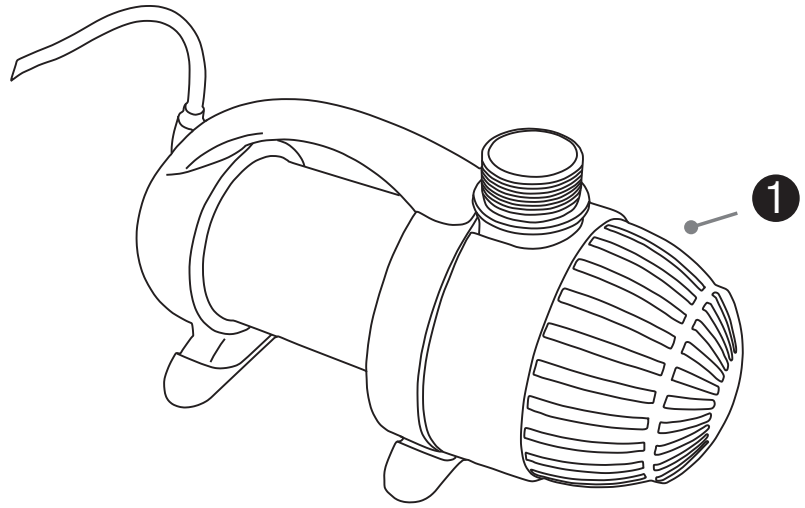
For more information about our company or products, please visit our website at aquascapeinc.com or call US (866) 877-6637 CAN (866) 766-3426.

Find us on:



facebook.com/AquascapeInc
youtube.com/aquascape4
twitter.com/AquascapeInc

Contents	
No.	Description
1.	AquaSurge® Adjustable Flow Pond Pump
2.	Remote Control
3.	Receiver
4.	Flat Rubber Gasket
5.	1.5" Rotational Ball Output
6.	Multi-hose Adapter 1.5", 2"
7.	Multi-hose Adapter 1", 1.25", 1.5"
8.	1.5" Female Adapter



AquaSurge® Adjustable Flow Pond Pump Specs		
Model Number	2000-4000	4000-8000
Item Number	45009	45010
Average Pond Size Recommendation	2000-4000 US gallons	4000-8000 US gallons
Maximum Flow Rate	3947	7793
Maximum Head Height	18.55'	27.89'
Motor Type	Asynchronous	Asynchronous
Wattage	180 - 215 *	500 - 660*
Amperage	1.82	5.5
Power Cord Length	20 ft	20 ft
Discharge Hose Diameter	1", 1.25", 1.5", 2"	1", 1.25", 1.5", 2"
Warranty	3 Year Limited	3 Year Limited

*Wattage range depending on remote control flow setting

Safety Information



WARNING: Risk of electric shock – This pump has not been approved for use in swimming pool or marine areas



WARNING: To provide continued protection against risk of electric shock, connect to properly grounded, ground fault circuit interrupter (GFCI) outlets only, using the following guidelines:

- (A) Have a qualified electrician install a properly grounded receptacle outlet, acceptable for outdoor use and protected from snow and rain.
- (B) Inspect cord before using.
- (C) Do not use extension cords.
- (D) Any wiring of pumps should be performed by a qualified electrician to ensure code compliance and user safety.
- (E) Unplug pump at receptacle outlet when not in use or before removal from pond.

- (F) To reduce risk of electrical shock, all wiring and junction connections should be made per local codes. Requirements may vary depending on usage and location.
- (G) The power cable should be protected at all times to avoid punctures, cuts, bruises and abrasions.
- (H) Never handle power cords with wet hands.
- (I) Do not remove cord and strain relief. Do not connect conduit to pump.
- (J) Do not use power cable to lift pump.



Installation

- Always operate the pump fully submerged; or if using in-line ensure a constant source of fresh water. Failure to do so may overheat the pump and cause it to fail, voiding the warranty.
- Use only in fully assembled state, paying particular attention to ensure that both the outer and inner filter screens are attached to the pump. Failure to operate the pump without the filter screen will allow large debris to enter the pump and cause the pump to fail, voiding the warranty.
- Do not wear loose clothing that may become entangled in the impeller or other moving parts.
- Keep clear of suction and discharge openings. DO NOT insert fingers into pump with power connected.
- Do not pump hazardous materials or liquids, such as oil, saltwater or organic solvents.
- Do not block or restrict discharge.
- Products returned must be cleaned, sanitized, or decontaminated, as necessary, prior to shipment to ensure that employees will not be exposed to health hazards in handling said material. All applicable laws and regulations shall apply.



IMPORTANT: Aquascape, Inc. is not responsible for losses, injury, or death resulting from a failure to observe these safety precautions, misuse or abuse of pumps or equipment.

AquaSurge®PRO Specifications

- Input Voltage: 120V AC
- Input Frequency: 60 Hz
- Submersible pump
- For outdoor or indoor use
- Thermally protected
- This pump has been evaluated for use with water only
- Input Amps & Wattage: *See chart on next page*

Typical Installation in a Skimmer or Pondless® Waterfall Filter System

- Do not submerge AquaSurge® Adjustable Flow Pond Pump directly into the pond. The AquaSurge® Adjustable Flow Pond Pump is designed to be placed inside a skimmer, Pondless® vault, sump or basin. Please consider the Aquascape AquaForce® Solids-Handling Pond Pump if your application does not have a filter and requires a pump that can be placed directly into the pond.



AquaForce® Pond Pump

- The AquaSurge® Adjustable Flow Pond Pump is designed to be installed horizontally on the vibration and noise reducing rubber feet. The pump can also be mounted vertically, if needed, by attaching the Filter Stand Ring on the Outer Filter Screen, included with your pump.



- The AquaSurge® includes a wide assortment of fittings to choose from. Select the appropriate fitting or fittings needed for your application.

PLEASE NOTE: If using a check valve, please follow the installation instructions included with the check valve for proper plumbing steps

- The threaded collar on all of the fittings enables the AquaSurge® pump to be installed and removed without the need for any tools. (Do not use tools to install the fittings into the pump discharge. Fittings need to be only hand-tight).



Multi-hose Adapter



- The extremely versatile Rotational Ball Outlet provides you the ability to adjust the pump discharge to the perfect position your water feature set up requires. Loosen the threaded collar on the rotational ball and rotate to desired position. A flat rubber gasket is included to ensure a hand-tight and leak-free connection. Make sure this flat rubber washer is in place before installing the fittings.



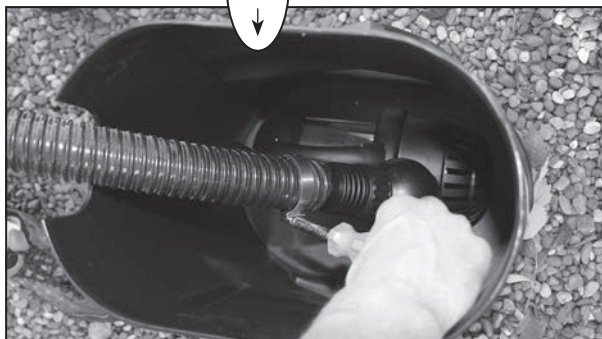
- Install the right sized Multi-hose Adapter based on the diameter of the tubing you are using.
- If using a pipe diameter larger than the smallest section of the multi-hose adapter, trim off the smaller sections to avoid flow restriction.

<p><i>Hosetail ready for 1" tubing</i></p>	<p><i>Hosetail ready for 1/4" tubing</i></p>
<p><i>Hosetail ready for 1 1/2" tubing</i></p>	<p>STAINLESS STEEL HOSE CLAMP</p> <p>Kink-Free Tubing</p> <p><i>Installation of stainless steel hose clamp</i></p>

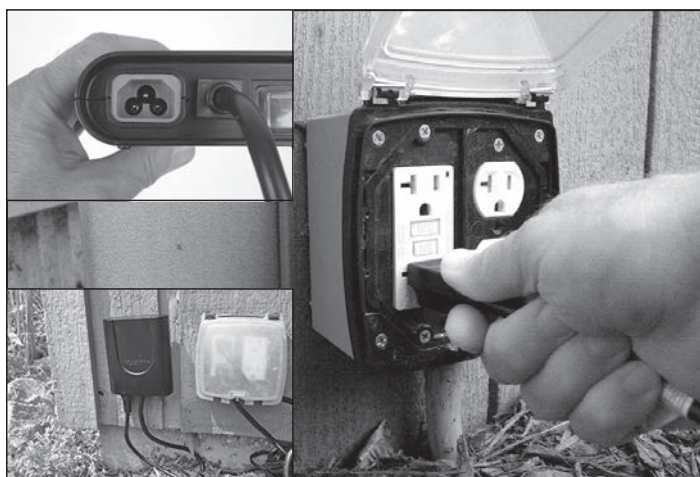
- In some instances the tubing/hose may be tight and difficult to use with hose fitting barbs. If this is the case we recommend heating the hose with the use of a hair dryer or simply dipping the hose for a few seconds in very hot water. Lubrication can also be used; we recommend silicone grease or olive oil. We recommend putting the fitting on the pump before attaching the tubing/hose. Once the fitting is in place, attach the tubing/hose onto the fitting with a twisting motion pushing it into place.
- Lower the pump into the skimmer (refer to image) or Pondless® filter (refer to image) and rotate the Rotational Ball Output to line up with the tubing. Attach tubing to the fitting and then tighten a hose clamp (not included) to secure tubing onto the fitting.



Skimmer application



Pondless® Waterfall application



- It is recommended to mount the receiver above the ground on a post, fence, or wall.

- Plug the pump into the receiver, making sure the gasket is in the plug port.
- Plug the Receiver into an external GFI-rated electrical source.

In-Line Operation

- The AquaSurge® pump can also be operated “in-line” by attaching a pipe connected directly from the pond (or aquarium) to the male-threaded pump inlet. In this case the water must be pre-filtered of debris in order to prevent any damage to the pump or impeller. The pump must NEVER be operated dry without water. This pump is water-cooled and requires water flowing through the pump at all times for the pump to operate correctly and stay cooled so it doesn't overheat.

General Maintenance

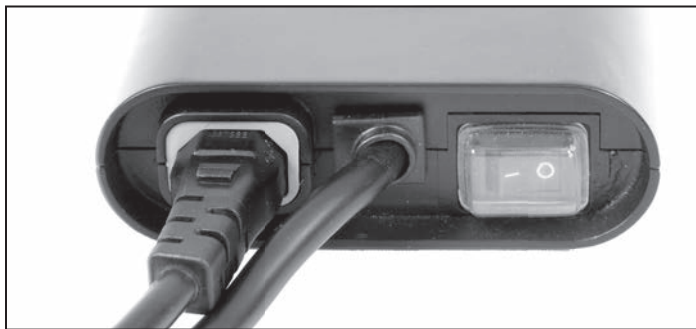
Remote Control and Receiver Operation

- **Receiver Switch** – The Receiver includes a switch that allows the pump to be operated in the two following modes:

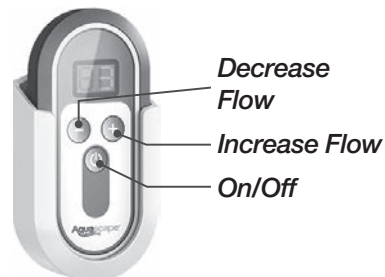
Position 1 - Operated by Remote Control

Position 2 - Bypass the Remote, and operate at full flow-rate

In the event of a power loss when operating in the Remote Control setting, the pump will revert to the last flow-rate setting.



- **Remote Control** – The Remote Control includes the ability to turn the pond on, and adjust the flow of the pump. Make sure the switch, on the Receiver, is in the Remote Control setting in order for the



Remote to work properly. The Remote Control has an approximate range of 150 feet. The range of the Remote may be reduced if there are obstacles between the Remote and Receiver. Use the included mounting holster provided to provide a location to store the remote control. It is recommended to mount the holster in an area that is protected from the outdoor elements.

PLEASE NOTE: The Remote Control and Receiver are paired together with their own unique frequency. For this reason Remote Control replacement kits include both Remote Control and Receiver.

PLEASE NOTE: A remote can be paired/re-paired to a receiver. Refer to the troubleshooting section for more information.

• **Battery Installation**

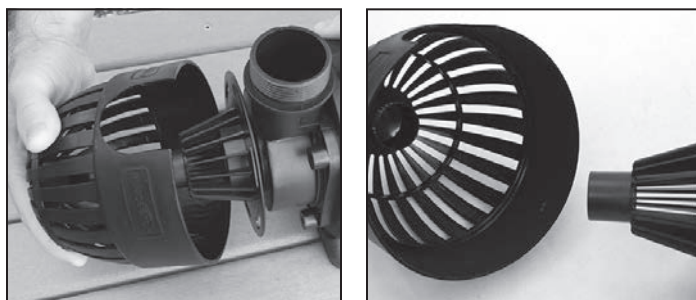


1. Remove 4 screws. Remove back cover plate.
2. Place battery in battery compartment.
3. Replace cover and install screws.

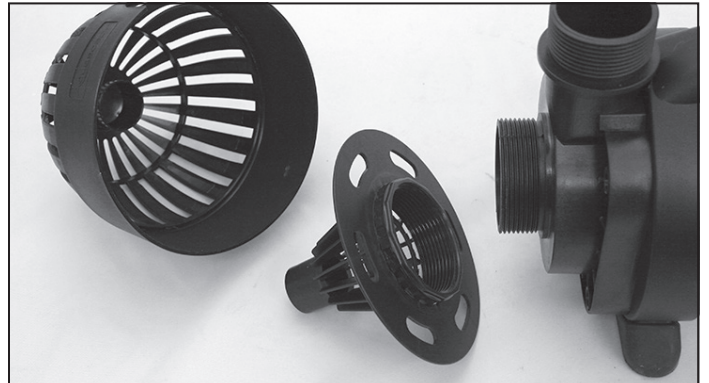
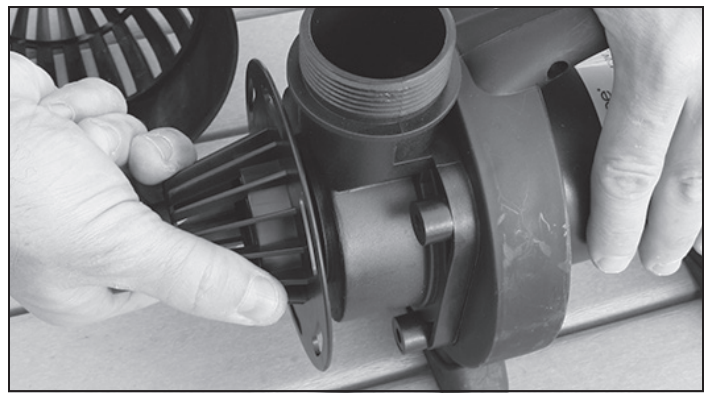
• **Filter Screens** – Do not remove the outer or inner filter screens while operating the pump. Failure to operate the pumps without the filter screens will allow large debris to enter the pump causing the pump to fail, voiding the warranty.

• **Filter Screen Cleaning** – We recommend inspecting your pump on a regular basis to make sure it is functioning properly. If you notice the water flow rate diminish, it may be due to the pump's filter screen becoming clogged with debris. Always disconnect the power before performing maintenance on the pump. In many cases the clogged screen can be cleaned by reaching into the filter and removing, by hand, any debris from the filter screen. If there is a lot of debris and/or the debris is difficult to clean you may need to disconnect the threaded collar on the fitting and remove the pump from the filter for a more thorough cleaning. A garden hose can be used to spray off any debris stuck on the filter screen. Be sure to replace the screen and make sure it is firmly attached to the pump body before lowering the pump back into the filter box.

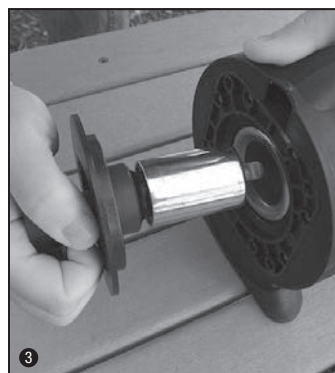
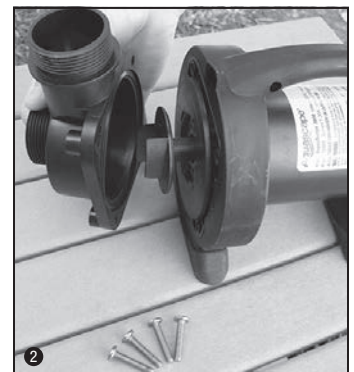
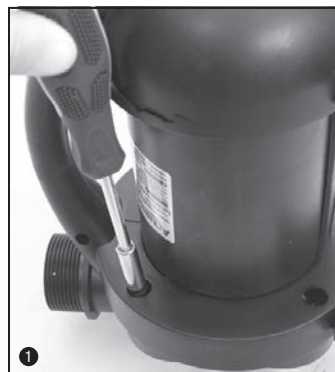
• The outer screen is designed to pop off when it is gently pulled from either side.



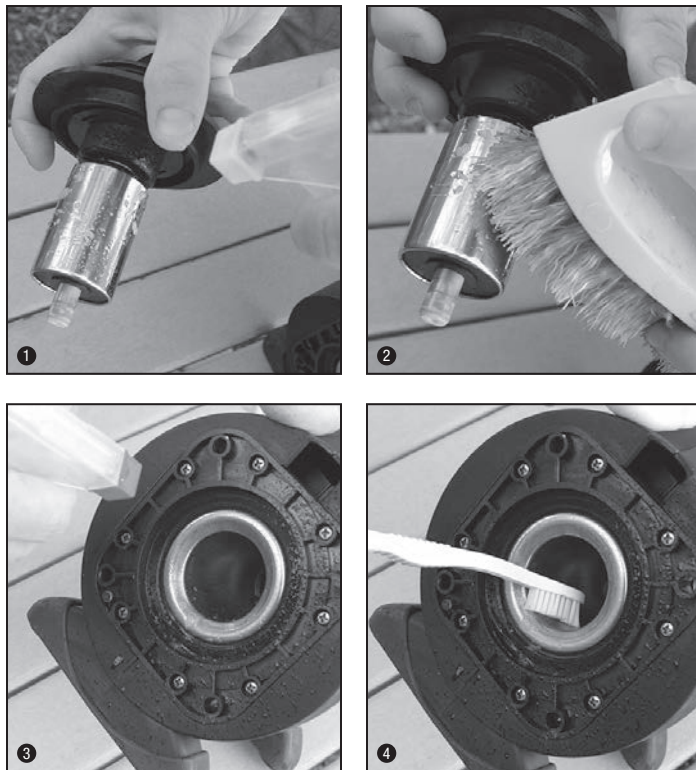
• The inner filter screen is threaded on and can be removed by unscrewing counterclockwise.



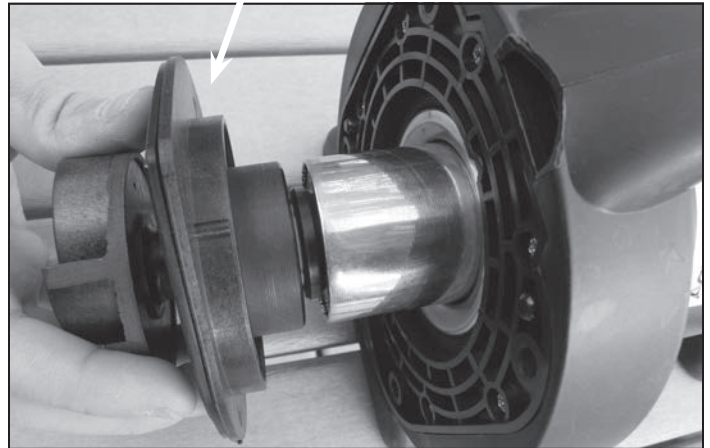
• **Internal Pump Cleaning** – If you have thoroughly cleaned the filter screens on the pump and still have diminished flow rates, you will need to remove the water chamber cover and inspect the impeller rotor assembly.



- If your impeller rotor assembly and internal pump body have excessive scale build-up, clean with a mild acid, such as white vinegar or non-abrasive calcium, lime and rust remover product, using a sponge or soft-bristled brush that won't scratch the stainless steel. Removing scale build-up will allow your pump to run like new again.



- When re-assembling the pump, be sure to align the raised key on the impeller flange to the matching notch in the face of the pump flange.



- **Winter Storage** – If concerned about possible freeze damage, disconnect the threaded collar on the fitting and remove the pump from the filter (be careful not to lose the flat rubber washer). Clean the pump and inlet screens with fresh water and store the pump in a frost-free location. The pump can be run during freezing weather, if desired, but the pump should be removed in the event of a power failure to prevent any freeze damage to either the pump or the piping.

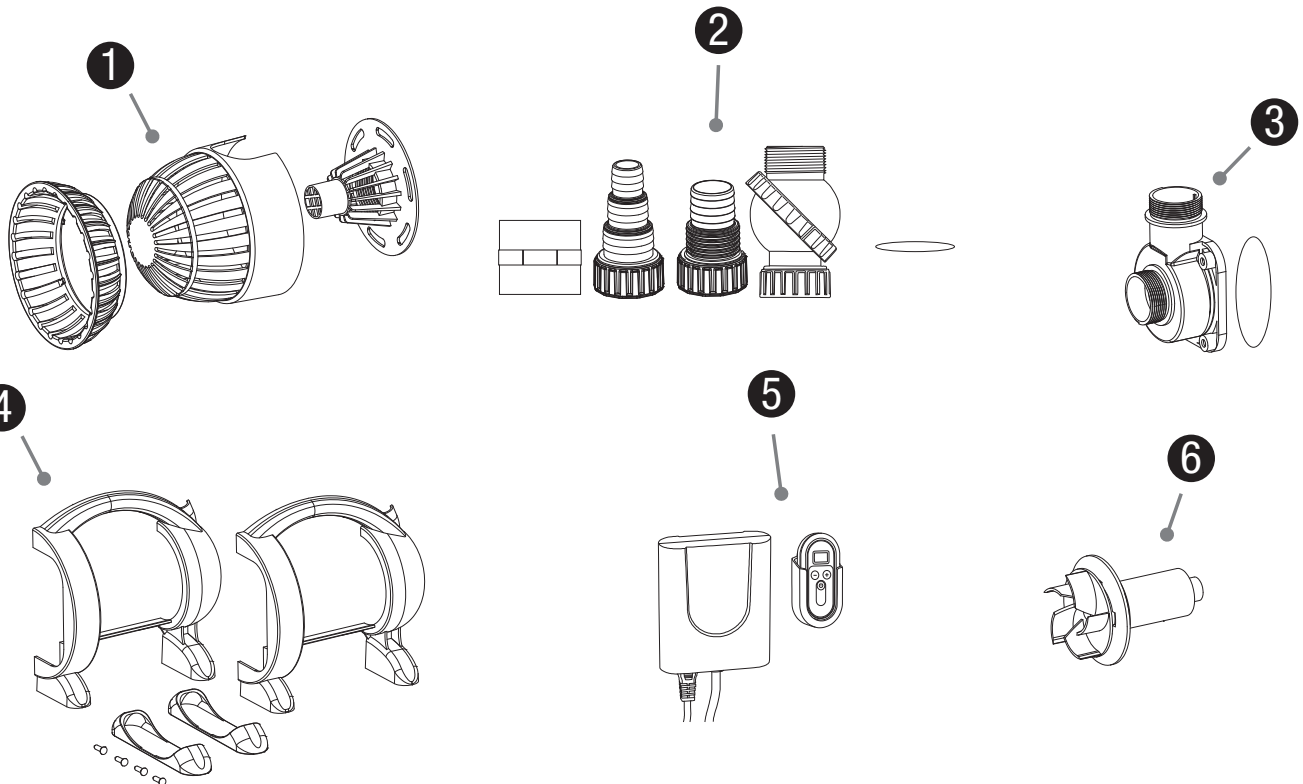
Troubleshooting

- **Reduced Water Flow**
 - Pump or plumbing may be clogged. It may be necessary to clean the filter screens and impeller
- **Pump Hums and Doesn't Push Water**
 - Pump or plumbing may be clogged. It may be necessary to clean the filter screens and impeller
 - Remove the water chamber cover and inspect and clean the impeller rotor assembly and internal pump body
 - Make sure nothing is blocking or wrapped around the impeller
 - Make sure the pump is receiving the correct voltage
- **Pump Not Working**
 - The ground-fault circuit-interrupter (GFCI) may have tripped
 - The pump is not receiving the correct voltage
- **Remote Not Working**
 - Check to make sure the switch located on the receiver is in the remote control position
 - Check to make sure the battery is installed properly. Replace battery if needed.
 - Re-pair the remote to the receiver by following these steps:
 1. Disconnect the receiver from the power source
 2. Verify that the switch on the receiver is set to position 1 (the circle position)
 3. Reconnect the receiver to the power source
 4. Hold both flow adjustment buttons on the remote until the display flashes
 5. Press any button on the remote to complete the pairing process

Replacement Parts

AquaSurge® 2000-4000 Adjustable Flow Pond Pump (#45009) Replacement Parts		
No.	Item number/description	
1.	91064	AquaSurge® 2000-4000 (G2) Intake Screen Kit
2.	91065	AquaSurge® (G2) Discharge Fitting Kit
3.	91067	AquaSurge® 4000/5000 (G2) Water Chamber Cover & O-Ring Kit
4.	91069	AquaSurge® 4000/5000 (G2) Pump Handle and Feet Kit
5.	45029	Adjustable Flow Pump Remote & Receiver Kit (G2)
6.	45016	AquaSurge® 2000-4000 Adjustable Flow Replacement Impeller Kit

AquaSurge® 4000-8000 Adjustable Flow Pond Pump (#45010) Replacement Parts		
No.	Item number/description	
1.	45011	AquaSurge® 4000-8000 Adjustable Flow Intake Screen Kit
2.	91065	AquaSurge® (G2) Discharge Fitting Kit
3.	45014	AquaSurge® 4000-8000 Adjustable Flow Water Chamber Cover & O-Ring Kit
4.	45012	AquaSurge® 4000-8000 Adjustable Flow Pump Handle & Feet Kit
5.	45029	Adjustable Flow Pump Remote & Receiver Kit (G2)
6.	45017	AquaSurge® 4000-8000 Adjustable Flow Replacement Impeller Kit



3 YEAR WARRANTY

The AquaSurge® Adjustable Flow Pond Pump is guaranteed for three years from date of purchase. Proof of purchase required. Warranty does not cover damage resulting from negligent handling, misuse, or lack of reasonable maintenance for care. Warranty is valid against defect due to material and the company's workmanship only. The sole obligation shall be to replace the defective unit with a suitable replacement unit. Units should be checked for proper operation prior to returning as defective. No liability for loss or damage of any nature or kind, whether arising out of or from the use of the product, whether defective or not defective, is assumed by Aquascape, Inc. or its affiliates.

For more information about our company or products, please visit our website at aquascapeinc.com
or call us at US (866) 877-6637 CAN (866) 766-3426



AQUASURGE® ADJUSTABLE FLOW POND PUMP

**AquaSurge® 2000-4000
Adjustable Flow Pond Pump**
Item #45009

**AquaSurge® 4000-8000
Adjustable Flow Pond Pump**
Item# 45010



aquascapeinc.com



Nous vous remercions d'avoir choisi la pompe de bassin à débit réglable

AquaSurge®. Chez Aquascape, notre but est de vous offrir la meilleure valeur qualité prix sur nos produits de jardin aquatique. Nous espérons que vous aimerez votre achat et nous vous remercions d'avoir choisi Aquascape. Votre paradis.

Votre paradis. Notre passion®



TABLE DES MATIÈRES

Introduction	12
Contenu	13
Tableau des caractéristiques	13
Informations sur la sécurité	14
Instructions	14
Entretien général	16
Diagnostic des pannes.....	18
Pièces de rechange	19
Informations sur la garantie	20

Pompe de bassin à débit réglable AquaSurge®

Les pompes à débit réglable AquaSurge® Aquascape sont idéales pour les pièces d'eau, les chutes d'eau Pondless® et d'autres applications impliquant des éléments de décor aquatique et vous permettent de régler facilement le débit d'eau. La télécommande et le récepteur sans fil sont inclus et permettent à l'utilisateur de personnaliser à tout moment l'aspect visuel et l'effet sonore de leur élément de décor aquatique en augmentant ou en réduisant le débit d'eau, voire même en l'ouvrant ou en le fermant. Grâce à un débit maximal de 3 947 gallons par heure, la pompe est conçue pour être utilisée en continu, que sa position soit verticale ou horizontale. La technologie des moteurs asynchrones auquel cette pompe fait appel la rend extrêmement économe en énergie, ce qui permet d'économiser des centaines de dollars par rapport aux pompes à eau traditionnelles. Par ailleurs, sa conception sans huile empêche la contamination des bassins. Divers raccords sont inclus pour une pose simple, y compris une sortie à rotule orientable qui permet au refoulement d'eau de se régler facilement. La pompe de bassin à débit réglable AquaSurge® ne se corrode pas et ne se rouille pas et ses pieds en caoutchouc amortissent le bruit et les vibrations pendant son utilisation, ce qui en fait une pompe de choix aussi bien pour les propriétaires de maison exigeants que pour les installateurs professionnels de bassins et de pièces d'eau.

☎ Nous joindre

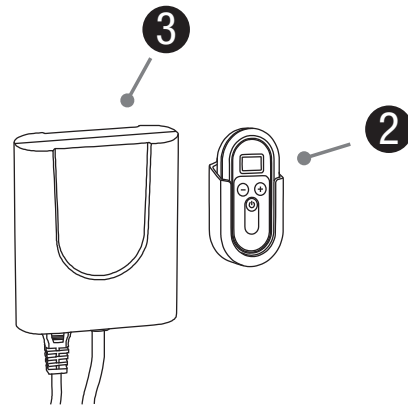
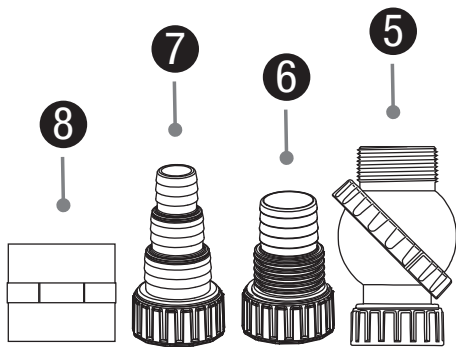
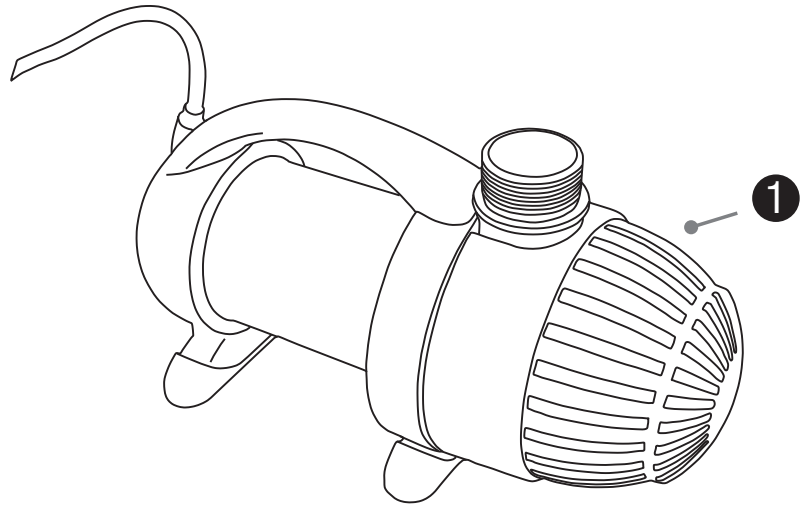
Pour plus de renseignements au sujet de notre société ou de nos produits, veuillez visiter notre site Web au aquascapeinc.com ou téléphonez sans frais au (866) 766 3426, au Canada, ou au (866) 877 6637, aux États-Unis.

Find us on:



facebook.com/AquascapeInc
youtube.com/aquascape4
twitter.com/AquascapeInc

Contenu	
N°	Description
1.	Pompe de bassin à débit réglable AquaSurge®
2.	Télécommande
3.	Récepteur
4.	Joint statique plat en caoutchouc
5.	Sortie à rotule orientable 1,5 po
6.	Raccord réducteur 1,5 po, 2 po
7.	Raccord réducteur 1 po, 1,25 po, 1,5 po
8.	Adaptateur femelle 1,5 po



Caractéristiques des pompes de bassin à débit réglable AquaSurge®

Numéro de modèle	2000-4000	4000-8000
Référence	45009	45010
Taille moyenne de bassin recommandée	2 000 à 4 000 gallons US	4 000 à 8 000 gallons US
Débit maximal	3947	7793
Hauteur de chute d'eau maximale	18.55'	27.89'
Type de moteur	Asynchrone	Asynchrone
Puissance en watts	180 - 215 *	500 - 660*
Intensité en ampères	1.82	5.5
Longueur du cordon d'alimentation	20 pi	20 pi
Diamètre du tuyau de refoulement	1", 1.25", 1.5", 2"	1", 1.25", 1.5", 2"
Garantie	Limitée de 3 ans	Limitée de 3 ans

Plage de puissances en fonction du réglage du débit par télécommande

Renseignements de sécurité



MISE EN GARDE : *risque de choc électrique – Cette pompe n'a pas été approuvée pour une utilisation en piscine ou en zones marines.*



MISE EN GARDE : *Afin d'assurer une protection continue contre le risque de décharge électrique, ne branchez le cordon qu'à une prise d'alimentation avec mise à la terre, en observant les directives suivantes :*

- (A) Faites installer une prise de courant correctement mise à la terre convenant à une utilisation extérieure et protégée de la neige et de la pluie
- (B) Inspectez le cordon d'alimentation avant l'utilisation
- (C) N'utilisez pas de rallonge électrique
- (D) Tout câblage relié à la pompe devrait être exécuté par un électricien qualifié pour être en conformité avec les normes et s'assurer de la sécurité de l'utilisateur
- (E) Débranchez la pompe de la prise de courant lorsque vous ne vous en servez pas ou avant de la sortir du plan d'eau
- (F) Pour réduire le risque de décharge électrique, tout le câblage et les raccordements de jonction devraient être

exécutés selon les normes locales. Les exigences peuvent varier en fonction de l'utilisation et de l'emplacement

- (G) Le câble électrique devrait être protégé en tout temps pour éviter les perforations, les coupures, les ecchymoses et les abrasions
- (H) Ne manipulez jamais les cordons d'alimentation avec les mains humides
- (I) N'enlevez pas le cordon et le dispositif de réduction de la tension. Ne joignez pas le conduit à la pompe
- (J) Ne soulevez pas la pompe par le cordon d'alimentation.



Mode d'emploi

- Faites fonctionner la pompe uniquement lorsqu'elle est entièrement submergée; ou si vous l'utilisez sans l'immerger, assurez-vous de maintenir une source constante d'eau douce. Ne pas faire ceci entraînera un surchauffement de la pompe et causera une défaillance de fonctionnement annulant ainsi la garantie.
- N'utilisez que lorsque la pompe est entièrement assemblée, prêtant une attention particulière aux grilles de filtration tant extérieures qu'intérieures pour s'assurer qu'elles soient fixées à la pompe. Faire fonctionner la pompe sans la grille de filtration permettra à des débris de grande taille d'entrer dans la pompe entraînant ainsi sa défaillance et annulant de ce fait la garantie.
- Ne portez pas de vêtements amples qui peuvent s'empêtrer dans la turbine ou dans d'autres pièces en mouvement.
- Tenez-vous en permanence à l'écart des ouvertures d'aspiration et de refoulement. NE PAS insérer les doigts dans la pompe quand elle est branchée sur une source d'alimentation électrique.
- Ne pompez pas de matières dangereuses ou des liquides, tels que l'huile, l'eau salée ou les solvants biologiques.
- Ne bloquez ni ne restreignez la sortie de la pompe.

- Les produits retournés doivent être nettoyés, désinfectés ou décontaminés au besoin, avant l'expédition pour s'assurer que les employés ne soient pas exposés à des risques pour la santé lors de la manutention dudit matériel. Toutes lois et tous règlements en vigueur seront applicables.



IMPORTANT: *Aquascape inc. n'est nullement responsable des pertes, blessures ou décès résultant du non-respect de ces consignes, d'une mauvaise utilisation ou d'une utilisation abusive de la pompe ou de l'équipement.*

Caractéristiques des pompes de bassin à débit réglable AquaSurge®

- Tension d'entrée : 120 V c.a.
- Fréquence d'entrée : 60 Hz
- Pompe submersible
- Pour utilisation extérieure ou intérieure
- Protection thermique
- Boîtier de type 3
- Pompe évaluée en utilisation avec de l'eau seulement
- Intensité de courant d'entrée et puissance en watts :
Voir le tableau à la page suivante

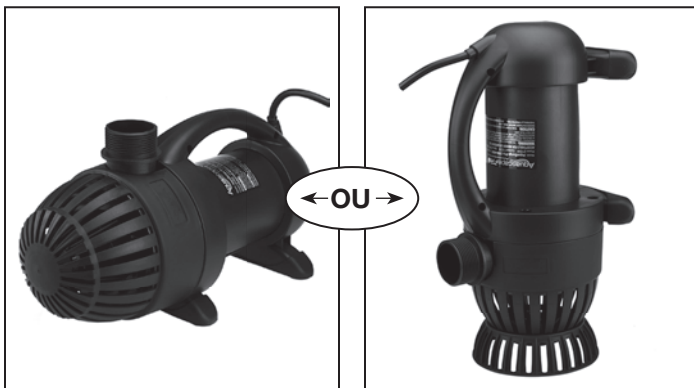
Pose typique dans une écumoire ou un système à filtres de chute d'eau Pondless®

- N'immergez pas la pompe de bassin à débit réglable AquaSurge® directement dans la pièce d'eau. La pompe de bassin à débit réglable AquaSurge® est conçue pour se placer dans une écumoire, une petite cuve de réception Pondless®, un puisard ou une vasque. Si votre projet n'inclut pas de filtre et nécessite qu'une pompe soit placée directement dans la pièce d'eau, veuillez envisager la pose d'une pompe pour matières épaisses AquaForce® Aquascape.



AquaForce® étang de la pompe

- La pompe de bassin à débit réglable AquaSurge® est conçue pour être posée à l'horizontale sur ses pieds en caoutchouc amortisseurs de vibrations et de bruit. Au besoin, la pompe peut également être montée à la verticale en attachant la bague de la base du filtre sur la crépine extérieure fournie avec votre pompe.



- L'AquaSurge® est fournie avec un large assortiment de raccords entre lesquels choisir. Sélectionnez le raccord approprié ou les raccords nécessaires à votre installation.

VEUILLEZ NOTER : si vous utilisez un clapet antiretour, suivez les étapes dans le manuel d'utilisation fourni avec le clapet antiretour pour poser la plomberie de façon appropriée.

- Le collier fileté sur tous les raccords permet à la pompe AquaSurge® d'être posée et déposée sans avoir recours à des outils (*n'utilisez pas d'outils pour fixer les raccords sur la sortie d'eau de la pompe. Les pièces doivent être serrées manuellement seulement*).



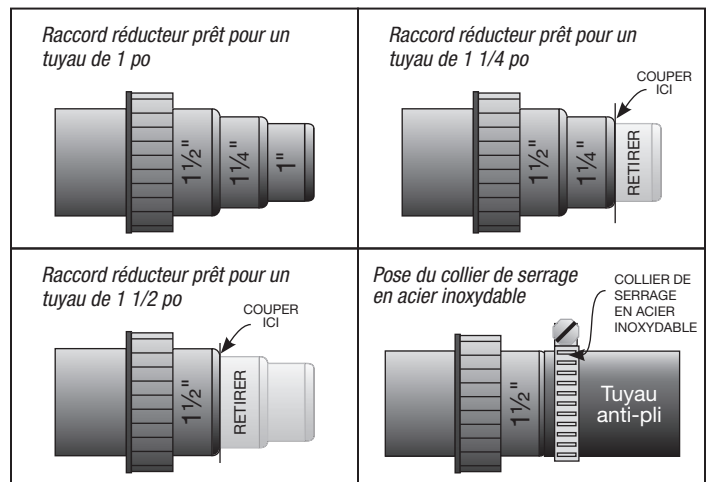
Adaptateur de tuyau multiple



- La sortie à rotule orientable est extrêmement polyvalente et vous donne la possibilité de régler avec précision le refoulement de la pompe selon les exigences de l'élément de décor aquatique. Desserrez le collier fileté sur la rotule orientable et tournez-la pour la placer dans la position souhaitée. Un joint statique plat en caoutchouc est fourni pour serrer le branchement à la main et le garantir antifuite. Avant de poser le raccord, assurez-vous que cette rondelle plate en caoutchouc est en place.



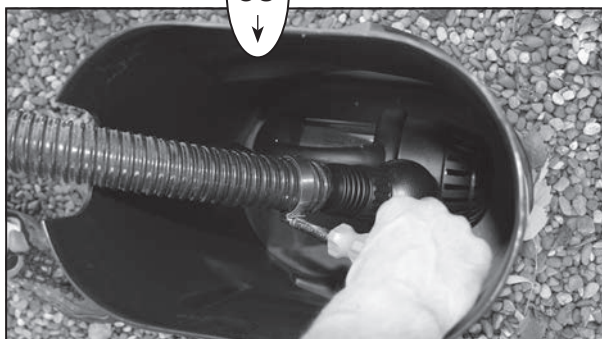
- Installez l'adaptateur de tuyau multiple de la bonne taille en vous basant sur le diamètre du tuyau que vous utilisez.
- Si vous utilisez un tuyau dont le diamètre est plus grand que le plus petit diamètre du raccord réducteur, rognez la partie du raccord ayant le plus petit diamètre afin d'empêcher toute restriction du débit.



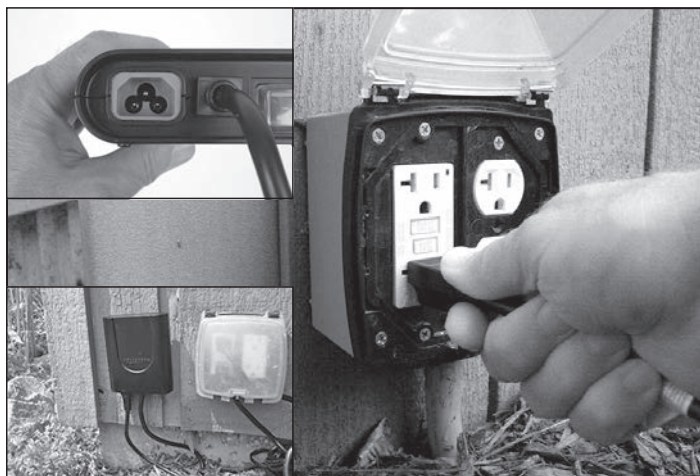
- Dans certains cas, le tuyau/boyau peut être étroit et difficile à utiliser en raison des cannelures du raccord. Nous recommandons alors de chauffer le tuyau à l'aide d'un sèche-cheveux ou tout simplement de plonger le tuyau pendant quelques secondes dans de l'eau très chaude. Il peut également s'avérer utile de lubrifier : nous recommandons la graisse de silicone ou l'huile d'olive. Nous recommandons de placer le raccord sur la pompe avant d'attacher le tuyau/boyau. Une fois que le raccord est en place, attachez le tuyau/boyau au raccord en le faisant tourner pour le mettre en place.
- Déposez la pompe dans l'écumoire (voir l'image) ou le filtre Pondless^{MD} (voir l'image) et faites tourner la boule pivotante pour l'aligner avec le tuyau. Attachez le tuyau au raccord et serrez ensuite un collier de serrage (non compris) pour bien fixer le tuyau au raccord.



Application d'une écumoire



Application pour cascades sans bassin (Pondless^{MD})



- Il est recommandé de monter le récepteur au-dessus du sol sur un poteau, une clôture ou un mur.

- Brancher la pompe dans le récepteur en vous assurant que le joint statique est dans l'orifice de branchement.
- Branchez la pompe dans la prise d'alimentation électrique externe GFI.

Fonctionnement sans immersion

- La pompe de bassin à débit réglable AquaSurge[®] peut également être utilisée « en ligne » en attachant un tuyau reliant directement le bassin (ou l'aquarium) à l'entrée à filets extérieurs de la pompe. Dans ce cas, l'eau doit être préfiltrée pour éliminer les débris afin de prévenir les dégâts pouvant survenir à la pompe ou à la turbine. Ne faites jamais fonctionner la pompe à sec. Cette pompe est refroidie par l'eau et requiert un écoulement constant afin de fonctionner correctement et de rester fraîche pour éviter le surchauffement.

Entretien général

Fonctionnement de la télécommande et du récepteur

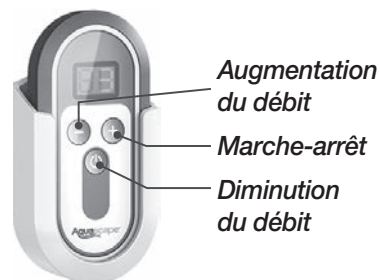
- **L'interrupteur récepteur** – Le récepteur inclut un interrupteur qui permet de faire fonctionner la pompe selon les deux modes ci-après :
 - Position 1 - De fonctionner à l'aide de la télécommande
 - Position 2 - De fonctionner en débit maximal sans la télécommande

En cas de perte de courant électrique, lorsque vous faites fonctionner en mode télécommande, la pompe retournera au dernier réglage de débit.



• La télécommande –

La télécommande permet de mettre le plan d'eau en marche et d'ajuster le débit de la pompe. Assurez-vous que l'interrupteur sur le récepteur est en mode télécommande pour que



celle-ci fonctionne correctement. Cette dernière a une portée d'environ 45,72 m (150 pi), à condition qu'il n'y ait aucun obstacle entre la télécommande et le récepteur. Utilisez l'étui de montage inclus pour fournir un emplacement pour la télécommande. Il est recommandé de monter l'étui dans un endroit qui est protégée contre les éléments extérieurs.

REMARQUE: La télécommande et le récepteur sont appariés avec leur fréquence propre. Pour cette raison, les trousse de remplacement de télécommande incluent tant la télécommande que le récepteur.

REMARQUE: Une télécommande peut être appariée / ré-appariée à un récepteur. Reportez-vous à la section Dépannage pour plus d'informations.

• **Installation des piles**

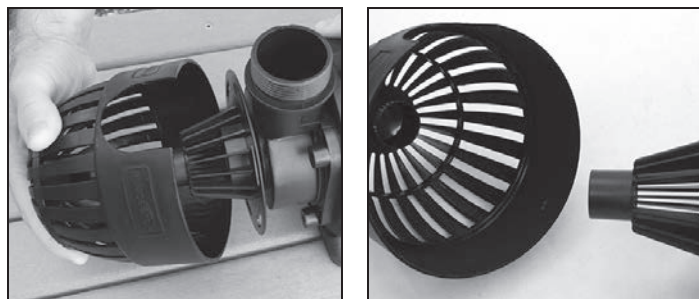


1. Retirez les quatre vis. Retirer la plaque arrière de couverture.
2. Placez la batterie dans le compartiment de la batterie.
3. Remplacez le couvercle et posez les vis.

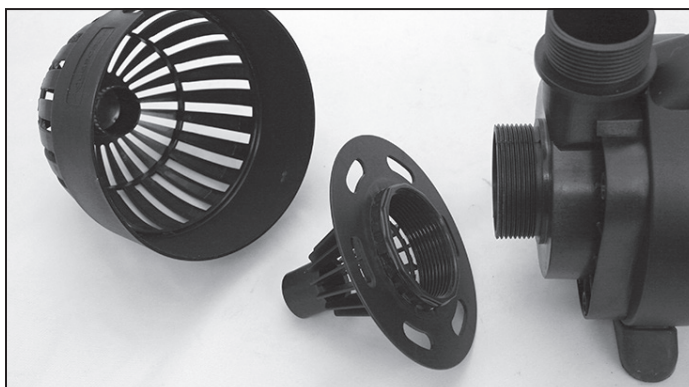
• **Grilles du filtre** – N'enlevez pas les grilles de filtration extérieure ou intérieure lors du fonctionnement de la pompe. Faire fonctionner la pompe sans la cage de filtration permettra à des débris de grande taille d'entrer dans la pompe entraînant ainsi sa défaillance et annulant de ce fait la garantie.

• **Nettoyage de la crépine** - Nous vous recommandons d'inspecter régulièrement votre pompe pour vous assurer qu'elle fonctionne correctement. Si vous remarquez que le débit d'eau diminue, il se peut que la crépine de la pompe soit obstruée par des débris. Avant d'effectuer toute tâche d'entretien sur la pompe, débranchez toujours le cordon d'alimentation de la pompe. Dans de nombreux cas, la crépine obstruée peut être nettoyée en essayant d'atteindre le filtre avec une main pour retirer tous les débris de la crépine. S'il y a beaucoup de débris et/ou s'il s'avère difficile de les retirer, vous pouvez débrancher le collier fileté sur le raccord et retirer la pompe du filtre pour un nettoyage plus minutieux. Un boyau d'arrosage peut être utilisé pour retirer au jet tous les débris collés sur la crépine. Assurez-vous de bien replacer la crépine et, avant de placer la pompe dans le boîtier de filtre, vérifiez qu'elle est solidement attachée au corps de pompe.

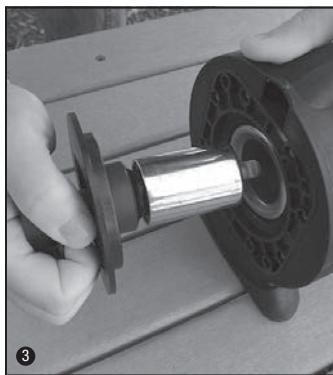
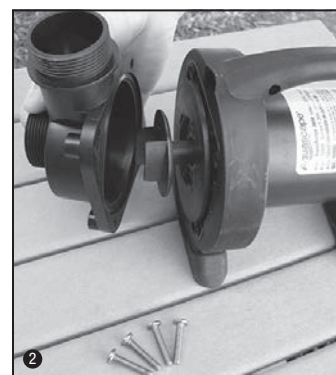
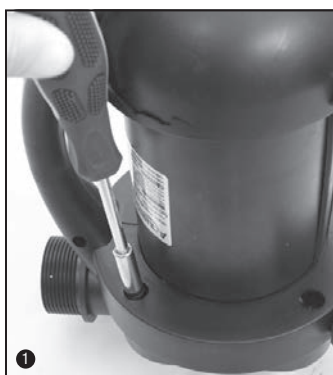
• La grille extérieure est conçue pour sortir quand on la tire doucement de part et d'autre.



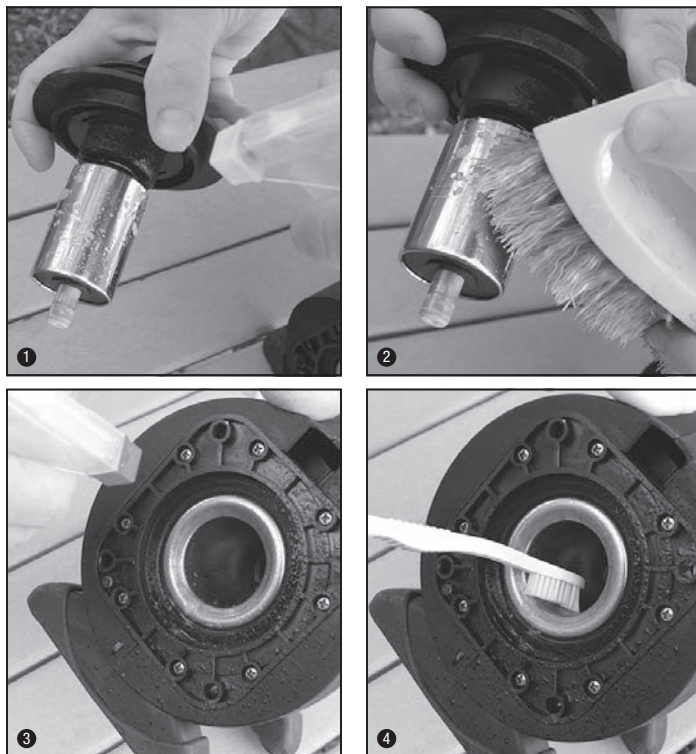
• La grille de filtration intérieure est filetée et peut être enlevée en dévissant en sens inverse des aiguilles d'une montre.



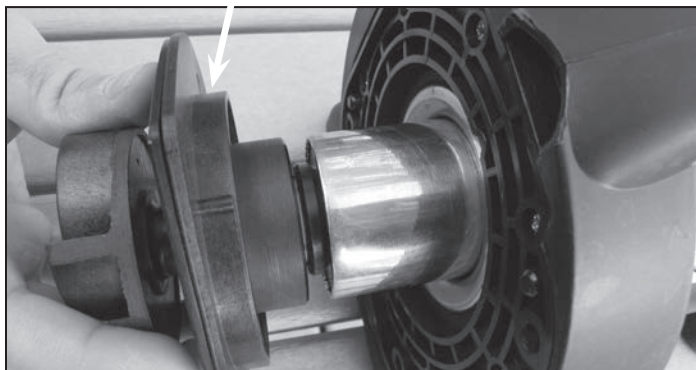
• **Nettoyage de l'intérieur de la pompe** - Si vous avez soigneusement nettoyé la crépine sur la pompe et si vous constatez que le débit diminue toujours, vous devrez retirer le couvercle de la chambre d'équilibre et inspecter l'ensemble turbine/rotor.



- Si l'ensemble turbine/rotor et le corps de pompe interne présentent un dépôt de tartre excessif, nettoyez-le à l'aide d'un acide doux, par exemple du vinaigre blanc ou un produit décapant non abrasif pour le calcaire, la chaux et la rouille, en utilisant une éponge ou une brosse à soie souple qui ne rayera pas l'acier inoxydable. Après avoir retiré les dépôts de tartre, votre pompe fonctionnera comme si elle était neuve.



- En réassemblant les modèles de pompe 4000 ou 5000, assurez-vous d'aligner la clé soulevée à la bride de pompe à l'encoche correspondante sur la surface de la bride de pompe.



- **Rangement hivernal** – Si vous êtes préoccupé par les dommages possibles causés par le gel, débranchez le col fileté du raccord et sortez la pompe du filtre (gardez prudemment la rondelle en caoutchouc plate). Nettoyez la pompe et les grilles d'entrée d'eau de la cage avec de l'eau douce et rangez la pompe dans un endroit à l'abri du gel. Vous pouvez faire fonctionner la pompe par temps glacial si désiré, mais elle devrait être enlevée en cas de panne de courant afin de prévenir tout dommage à la pompe ou à la tuyauterie dû au gel.

Diagnostic des pannes

• Débit d'eau réduit

- La pompe ou la plomberie peuvent être bouchés. Il peut être nécessaire de nettoyer les grilles de filtration et la turbine.

• Bourdonnement de la pompe et absence de propulsion d'eau

- La pompe ou la plomberie peuvent être bouchés. Il peut être nécessaire de nettoyer les grilles de filtration et la turbine.
- Enlevez le couvercle du réservoir, inspectez et nettoyez l'assemblage du rotor de turbine et la partie interne de la pompe.
- Assurez-vous que rien ne bloque ou n'est enveloppé autour de la turbine.
- Assurez-vous que la pompe reçoit la bonne tension.

• Pompe en panne

- L'interrupteur du disjoncteur de fuite à la terre (GFCI) peut avoir été déclenché.
- La pompe ne reçoit pas la bonne tension.

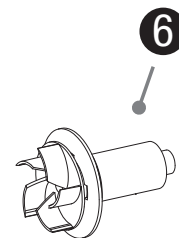
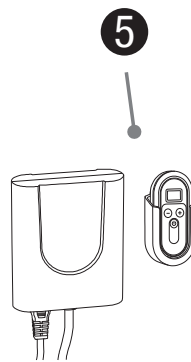
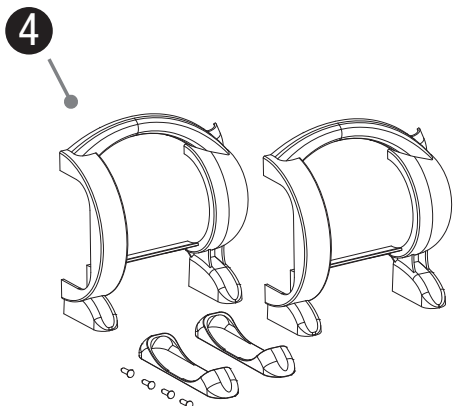
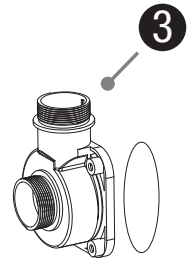
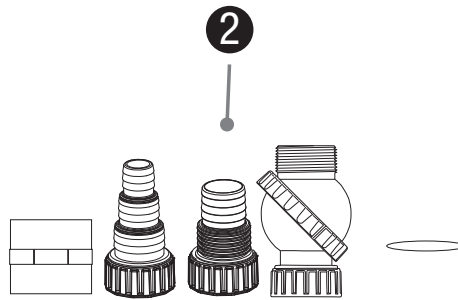
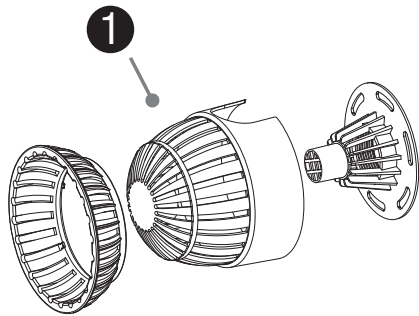
• La télécommande ne fonctionne pas

- Assurez-vous que le commutateur situé sur le récepteur est en position de contrôle à distance
- Assurez-vous que la batterie est correctement installée. Remplacez la pile si nécessaire
- Re-coupler la télécommande au récepteur en procédant comme suit:
 1. Déconnectez le récepteur de la source d'alimentation
 2. Vérifiez que le commutateur du récepteur est réglé sur la position 1 (la position du cercle)
 3. Rebranchez le récepteur à la source d'alimentation
 4. Maintenez les deux boutons de réglage du débit sur la télécommande jusqu'à ce que l'affichage clignote
 5. Appuyez sur n'importe quel bouton de la télécommande pour terminer le processus de jumelage.

Pièces de rechange

Pièces de rechange (Réf. 45000) pour pompes de bassin à débit réglable 2000-4000 AquaSurge®		
N°	Référence/description	
1.	91064	Crépine d'entrée prête-à-monter (G2) 2000-4000 AquaSurge®
2.	91065	Raccord de refoulement prêt-à-monter (G2) AquaSurge®
3.	91067	Couvercle de chambre à eau et joint torique prêts-à-monter (G2) 4000/5000 AquaSurge®
4.	91069	Poignée et pieds de pompe prêts-à-monter (G2) 4000/5000 AquaSurge®
5.	45029	Ensemble télécommande et récepteur de pompe à débit réglable (G2)
6.	45016	Turbine de rechange prête-à-monter pour pompes à débit réglable 2000-4000 AquaSurge®

Pièces de rechange (Réf. 45010) pour pompes de bassin à débit réglable 4000-8000 AquaSurge®		
N°	Référence/description	
1.	45011	Crépine d'entrée prête-à-monter pour pompes à débit réglable 4000-8000 AquaSurge®
2.	91065	Raccord de refoulement prêt-à-monter (G2) AquaSurge®
3.	45014	Couvercle de chambre à eau et joint torique prêts-à-monter pour pompes à débit réglable 4000-8000 AquaSurge®
4.	45012	Poignée et pieds prêts-à-monter pour pompes à débit réglable 4000-8000 AquaSurge®
5.	45029	Ensemble télécommande et récepteur de pompe à débit réglable (G2)
6.	45017	Turbine de rechange prête-à-monter pour pompes à débit réglable 4000-8000 AquaSurge®



GARANTIE DE TROIS ANS

La pompe de bassin à débit réglable AquaSurge® est garantie trois ans à compter de la date d'achat. Une preuve d'achat est exigée. La garantie ne couvre pas les dégâts résultant de la négligence de manutention, d'une mauvaise utilisation, ou de l'entretien ou de soins défectueux. La garantie est valable contre les défauts dans les matériaux et les défauts de fabrication seulement. Le remplacement de l'unité défectueuse par une unité de rechange appropriée sera la seule obligation. Les unités devront être vérifiées afin de s'assurer de leur bon fonctionnement avant de les retourner en tant qu'unité défectueuse. Aquascape inc. ou ses filiales n'assumeront aucune responsabilité en cas de perte ou de dégâts de n'importe quelle nature, provenant ou résultant de l'utilisation du produit, défectueux ou non.

Pour plus de renseignements sur notre entreprise ou nos produits, veuillez vous rendre sur notre site Web aquascapeinc.com ou nous appeler au (866) 877-6637 (aux É.-U.) ou au (866) 766-3426 (au Canada).