

Features

- This high performance, medium head pump comes complete with an industry standard $\frac{5}{8}$ " mechanical seal for convenient replacement.
- Pump parts are made of 100% recyclable plastic. Non-corrosive, chemical/UV resistant, and can withstand temperatures of up to 150° F.
- Suction and discharge ports are equipped with 1½" fpt unions.
- Specially constructed clear lid with ring lock design is easy to open. Large strainer basket is always locked in place.
- Pump is equipped with durable, special 48 frame thru-bolt mount energy efficient PSC motor with stainless steel shaft.
- Pump has a standard 6 ft. cord set pre-mounted.
- GV Series self-priming pumps come complete with one year warranty.
- Every pump is performance tested before leaving the factory.



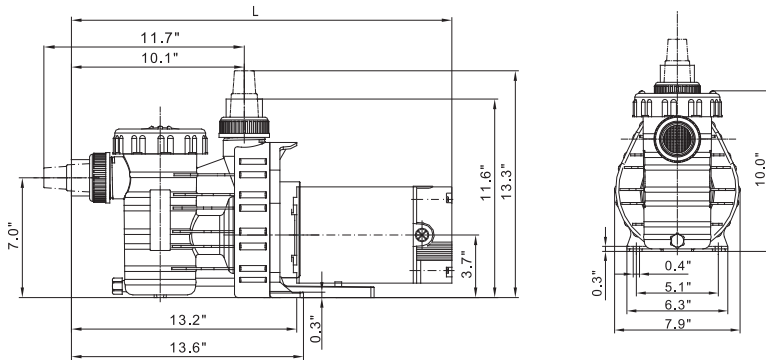
GV100S



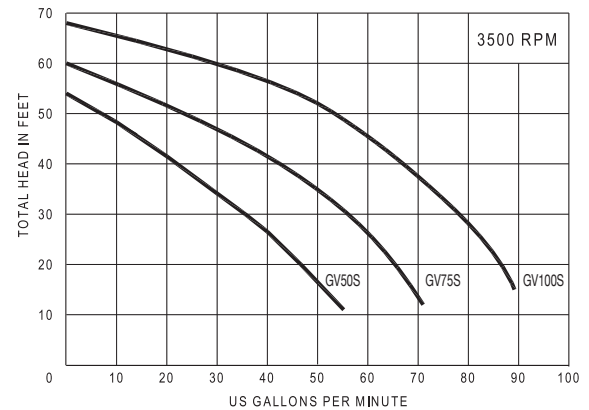
Applications

- Water gardens
- Koi ponds
- Water features & fountains
- Pools

Dimensional Drawings

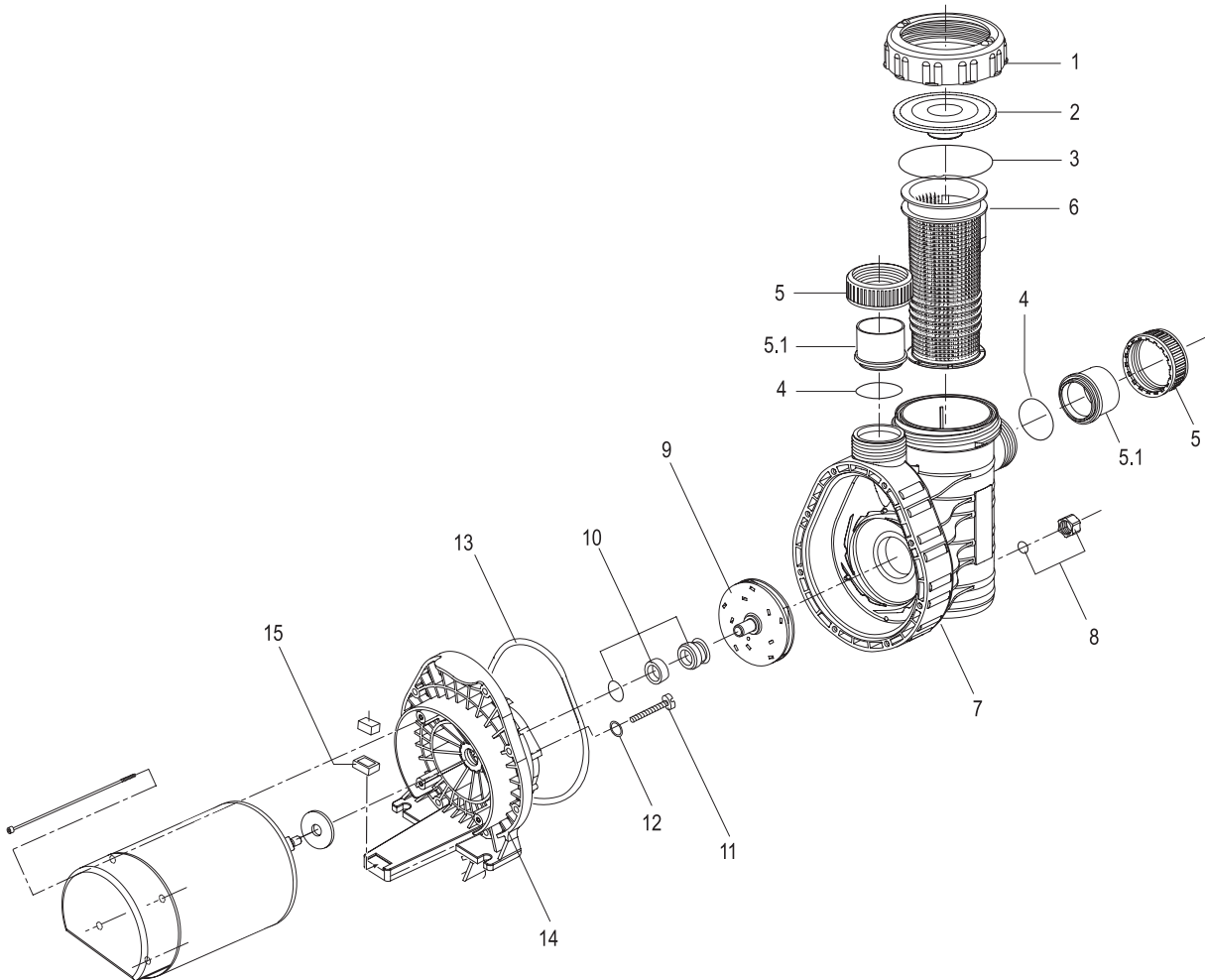


Performance Curves



Specifications

| PART # | HP | AMPS | VOLTS | LENGTH (DIMENSION L) | MAXIMUM HEAD | SHIP WEIGHT |
|--------|-----|------|-------|----------------------|--------------|-------------|
| GV50S | 1/2 | 6.5 | 115 | 21" | 55' | 20 lbs. |
| GV75S | 3/4 | 8.8 | 115 | 22½" | 60' | 21 lbs. |
| GV100S | 1 | 10 | 115 | 22½" | 68' | 23 lbs. |



| DRAWING NUMBER | QTY. REQUIRED | DESCRIPTION |
|----------------|---------------|--|
| 1 | 1 | Lock Ring Lid |
| 2 | 1 | Lid - Clear |
| 3 | 1 | O-Ring - Lid |
| 4, 5 & 5.1 | 1 | Complete Union Package - Suction/Discharge - fpt |
| 6 | 1 | Basket - One Piece |
| 7 | 1 | Casing |
| 8 | 1 | Drain Cap $\frac{3}{8}$ " with Gasket - Casing |
| 9.1 | 1 | Impeller 0.5 THP (0.75 HP SPL) 100/4.5mm |
| 9.2 | 1 | Impeller 0.75 THP (1.0 HP SPL) 100/6.5mm |
| 9.3 | 1 | Impeller 1.0 THP (1.5 HP SPL) 100/9mm |
| 10 | 1 | Mechanical Seal $\frac{5}{8}$ " - Carbon/Ceramic |
| 11 & 12 | 8 | Screw - Casing. Hex/Washer/Slot M7 x 48.4mm |
| 13 | 1 | O-Ring Casing 165 x 6mm |
| 14 | 1 | Flange/Seal Housing |
| 15 | 1 | Foot |