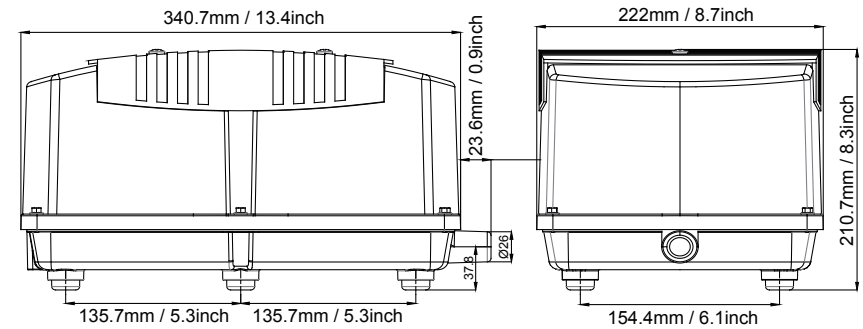
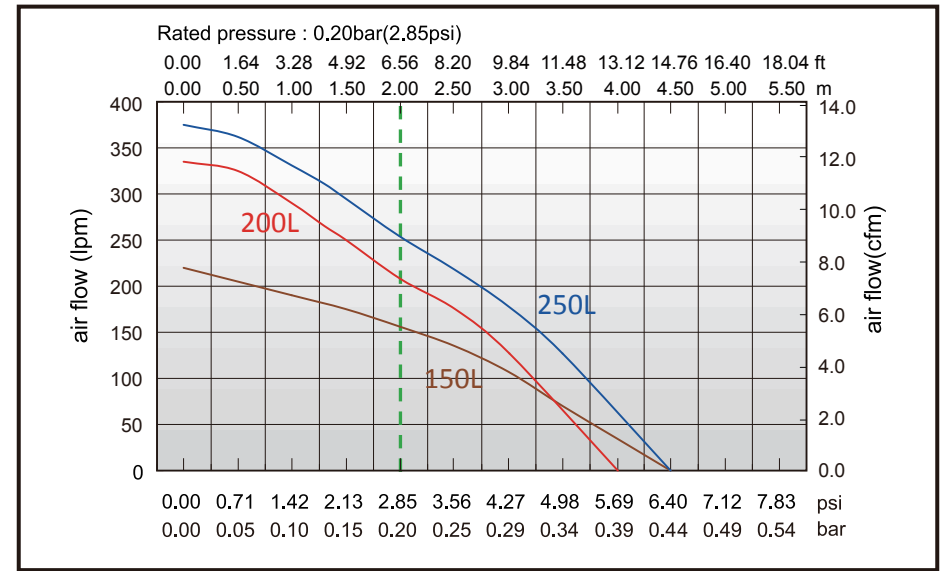


**Matala®**  
"Make water alive"



## LINEAR AIR PUMP SPECIFICATION

Specification	Model	150L	200L	250L
Rated volt		120V	120V	120V
HZ		60	60	60
Rated pressure (Kg/cm <sup>2</sup> )		0.2 Kg/cm <sup>2</sup>		
Rated Flow (L / min)		155	205	255
Watt		145	160	227
Noise(dB)		52	54	56
Closed pressure	psi	5.7	5.1	5.7
	Kgf/cm <sup>2</sup>	0.45	0.4	0.45
Weight (lbs) / (kg)		33.5 / 15.2		