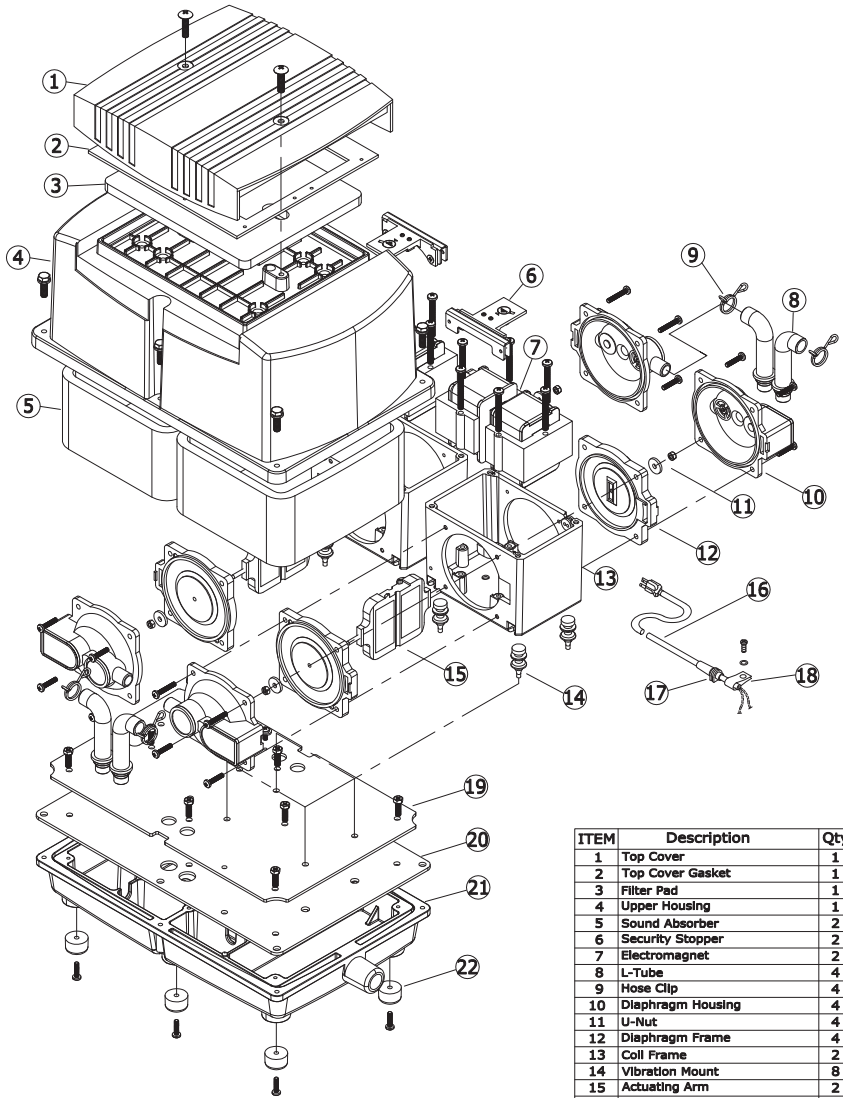


Construction HK-150L, 200L, 250L



ITEM	Description	Qty
1	Top Cover	1
2	Top Cover Gasket	1
3	Filter Pad	1
4	Upper Housing	1
5	Sound Absorber	2
6	Security Stopper	2
7	Electromagnet	2
8	L-Tube	4
9	Hose Clip	4
10	Diaphragm Housing	4
11	U-Nut	4
12	Diaphragm Frame	4
13	Coil Frame	2
14	Vibration Mount	8
15	Actuating Arm	2
16	Power Cable	1
17	Cable Rubber Bushing	1
18	Cable Clamp	2
19	Center Plate	1
20	Gasket	1
21	Lower Housing	1
22	Rubber Stand	6