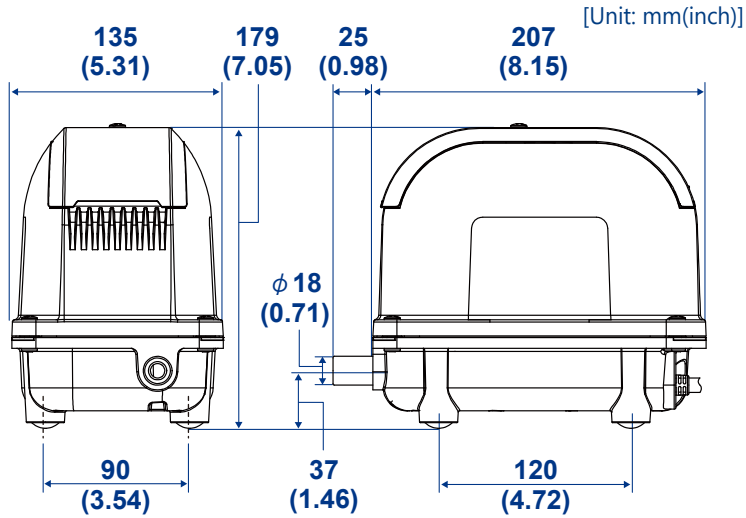


# WG-2,3,4

For Aquaculture and Pond Aeration use

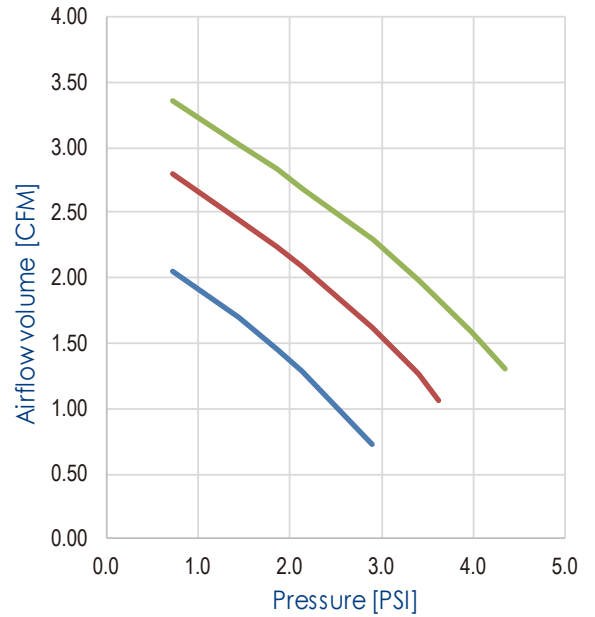
## Dimensions



## Performance Curves

— WG-2 — WG-3 — WG-4

### WG-2,3,4



## Sizing Recommendations

Model	Suggested Pond Size	Max Depth	Current[A]
<b>WG-2</b>	Up to 16,000 Gallons	8 ft	0.35
<b>WG-3</b>	Up to 1/4 Acre	8 ft	0.55
<b>WG-4</b>	Up to 1/2 Acre	8 ft	0.75

Working pressure range: WG-2 : 0.7~2.9psi / WG-3 : 0.7~3.6psi / WG-4 : 0.7~4.3psi

- Flow measured in Normal(NL/min)
- Performance data is representative of typical values. Specifications and performance data are subject to change without notice. Purchaser is responsible for determining suitability for product applications
- "HIBLOW" is a registered mark of Techno Takatsuki co., Ltd.